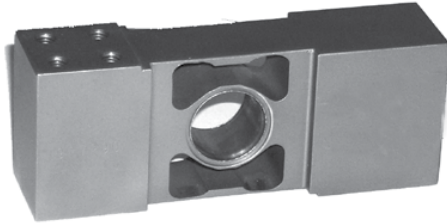
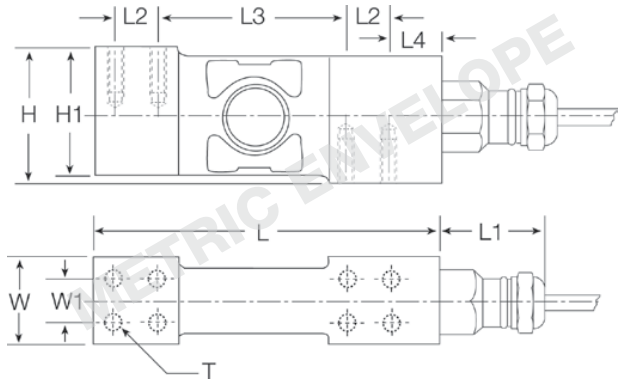


RLPC6 Single Point, Stainless Steel NTEP 1:5000 Class III Single Cell, Hermetically Sealed, IP69K



Picture is a representation of actual product



SPECIFICATIONS

Full Scale Output:
2.0 mv/v

Output Resistance:
960 ohms, nominal +/- 50

Input Resistance:
1100 ohms +/- 50

Material/Finish:
Stainless steel

Temperature:
Compensated range
14° F to 104° F/ -10° C to 40° C

Safe Overload:
200% Full scale

Safe Sideload:
100% Full scale

Rated Excitation:
10V DC

Total Error:
0.02% Full scale

Insulation Resistance:
5000 megohms

Seal Type:
Hermetically sealed, IP69K

Cable Length:
10 ft/3.1 m

Cable Diameter:
.196 polyurethane jacket

Cable Color Code:
Green..... + Excitation
Black..... - Excitation
White..... + Signal
Red..... - Signal
Yellow..... - Shield

Max Deflection:
.006-.010

Max Platform Size:
24 in x 24 in

Warranty:
Two-year limited warranty

Approvals:



DIMENSIONS

RATED CAPACITY	H	H1	L	L1	L2	L3	L4	W	W1	T
kg/mm										
10-200	48.0	45.5	123.0	41.0	15.2	67.6	17.8	30.1	15.2	8 x M6/15 DP
lb/inches										
22-441.0	1.89	1.80	4.84	1.61	.60	2.66	.70	1.18	.60	8 x M6/15 DP

ORDER INFORMATION

LOAD RATING	PART #	PRICE
10 kg (22 lb)	87027	Consult
20 kg (44.1 lb)	87028	Consult
50 kg (110.2 lb)	87029	Consult
100 kg (220.5 lb)	87030	Consult
200 kg (441.0 lb)	87031	Consult

INTERCHANGEABLE PRODUCTS

MANUFACTURER	MODEL	PAGE #
Flintec	PC6	226

RICE LAKE WEIGHING SYSTEMS

